

BAFFLE

INSTALLATION INSTRUCTIONS

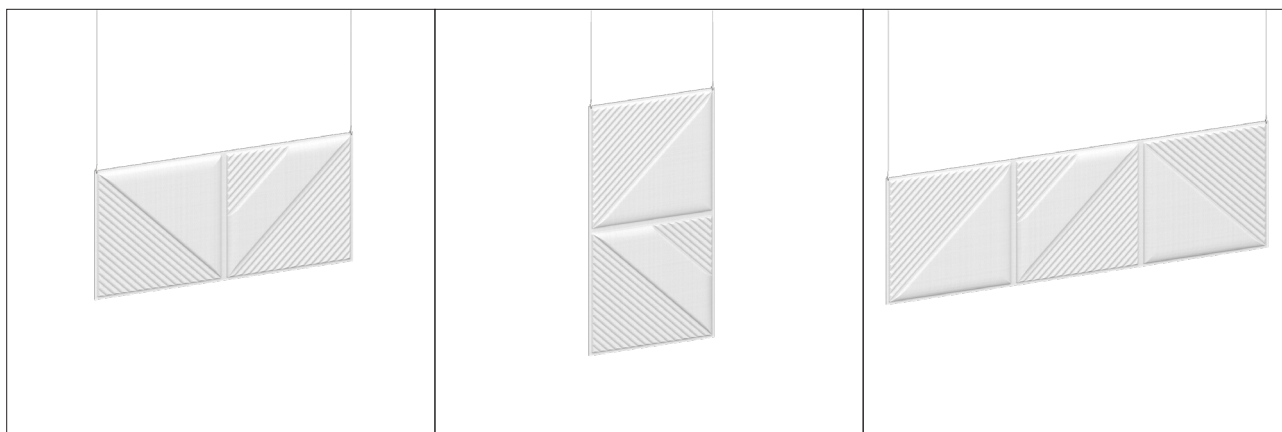
CONTENTS

1. BAFFLE PRODUCTS	3
2. BAFFLE INSTALLATION	4
2.1 Installation accessories and tools	4
2.2 Installation instructions	5

1. BAFFLE PRODUCTS

Baffle products are suspended perpendicular to the ceiling with special cables. The length of the cables can be adjusted to suit the height of the room and the aesthetic effect you want to create. Available in different sizes, from the smallest B2 to the largest BMAXI, in single- or double-sided versions.

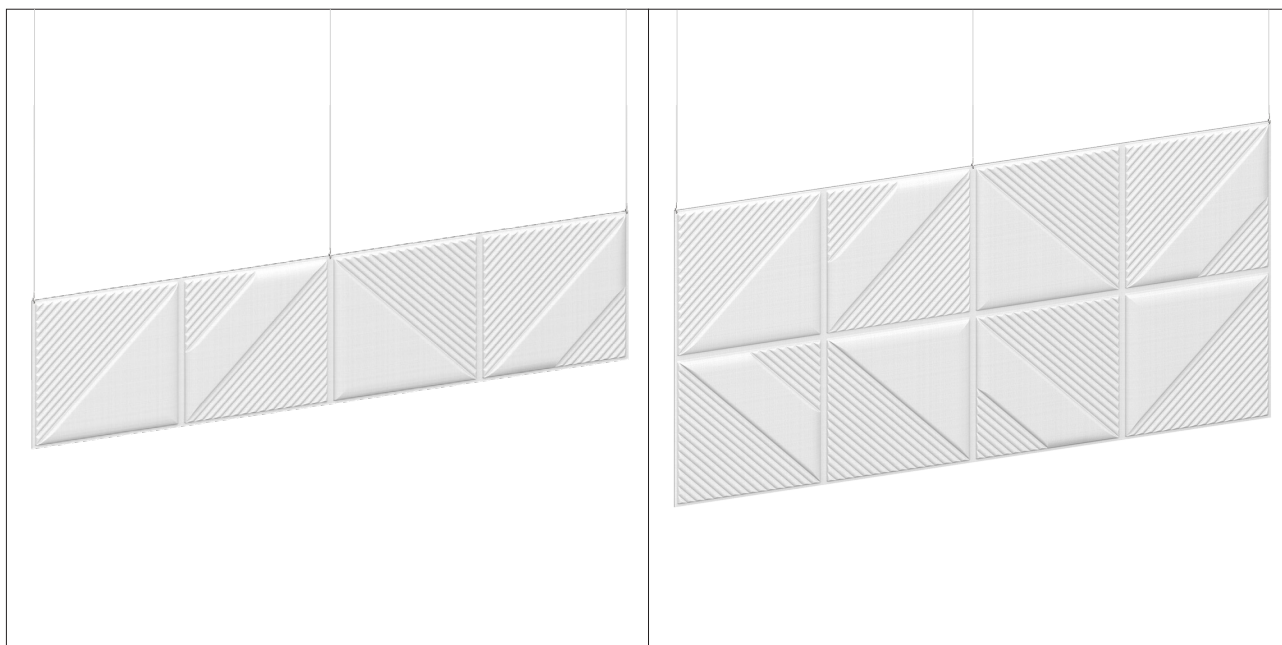
The hanging kit is included in the package.



B20 (120 x 60 cm)

B2V (60 x 120 cm)

B3 (180 x 60 cm)



B4 (240 x 60 cm)

BMAXI (240 x 120 cm)

2. INSTALLATION INSTRUCTIONS

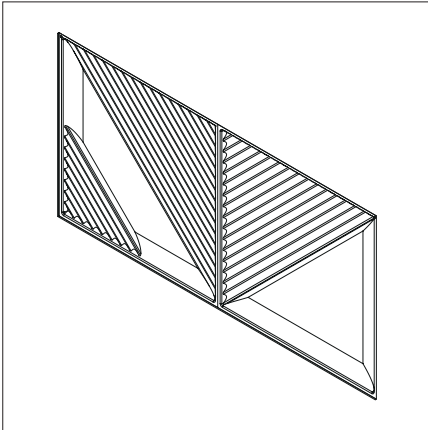
2.1 INSTALLATION ACCESSORIES AND TOOLS

Standard Skin Baffle installation accessories are calibrated to facilitate all installation steps and selected for their aesthetic and functional compatibility with all available configurations.

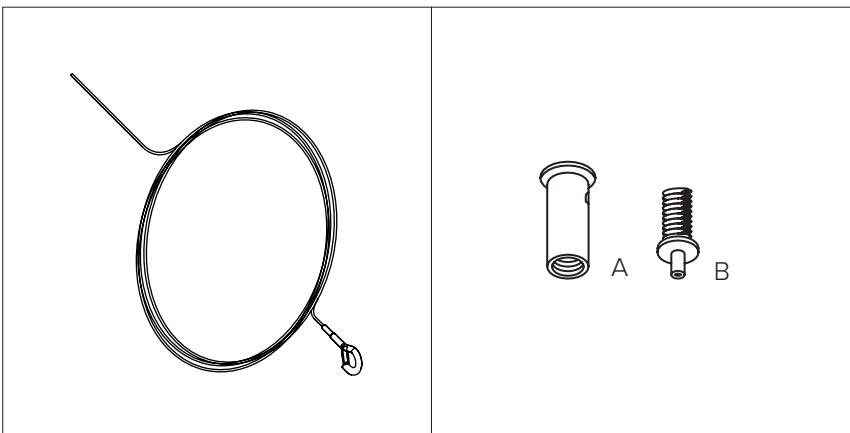
Skin Baffle installation requires a professional approach and the use of readily available tools.

The instructions provided here specifically relate to the use of the standard accessories listed in this document.

MATERIAL PROVIDED



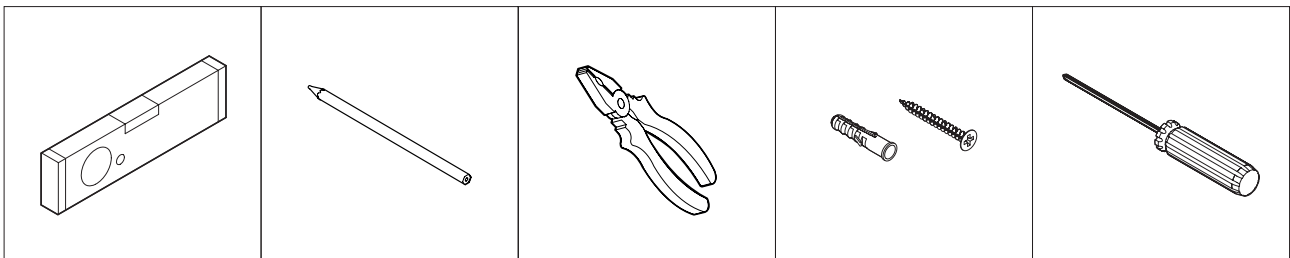
Skin B2V / B2O / B3 / B4 / BMAXI



Cable with carabiner end

Ceiling mount

ADDITIONAL TOOLS REQUIRED*



Spirit level

Pencil

Pliers

Ø6 mm dowels
and Ø4 mm screws

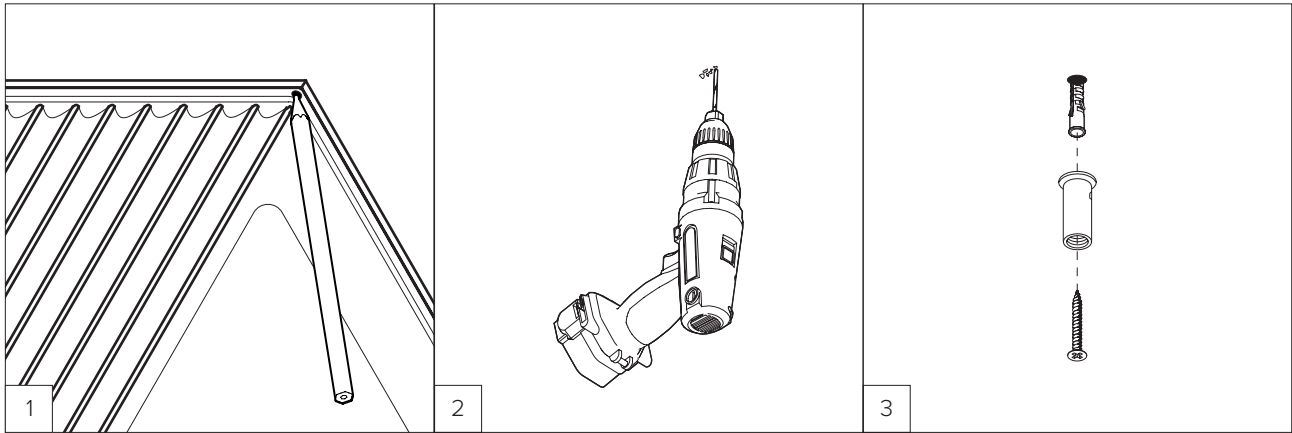
Screwdriver or
nutrunner

*The tools pictured here are not provided, but considered necessary equipment for proper application.

2.2 INSTALLATION INSTRUCTIONS



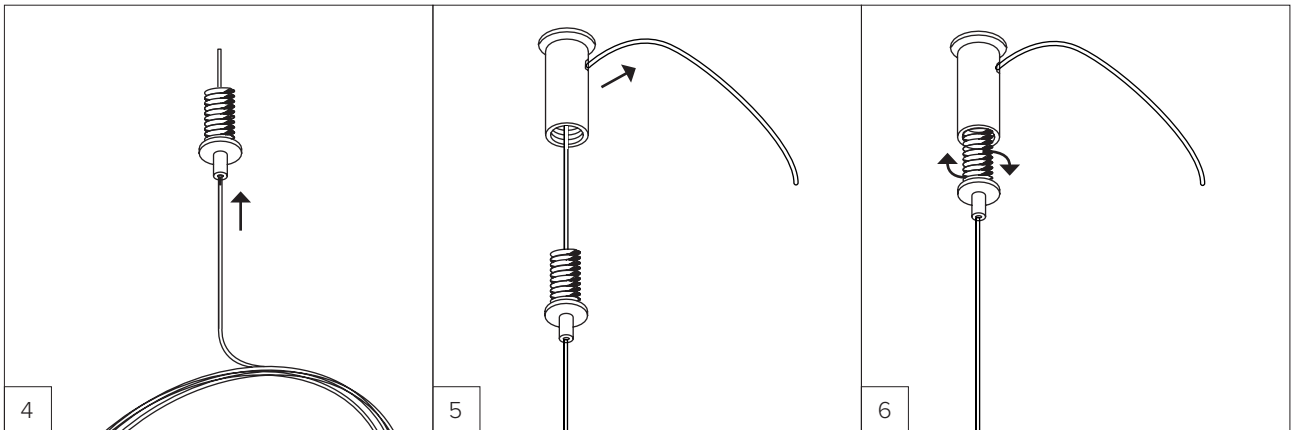
Before you begin, familiarize yourself with the operation of elements A and B of the ceiling mount



1 Trace the hanging points on the ceiling with a pencil using the holes in the panel as a template. Alternatively, measure the spacing between the holes and record the distance to the ceiling.

2 Pierce the ceiling with a drill at the pencil dots.

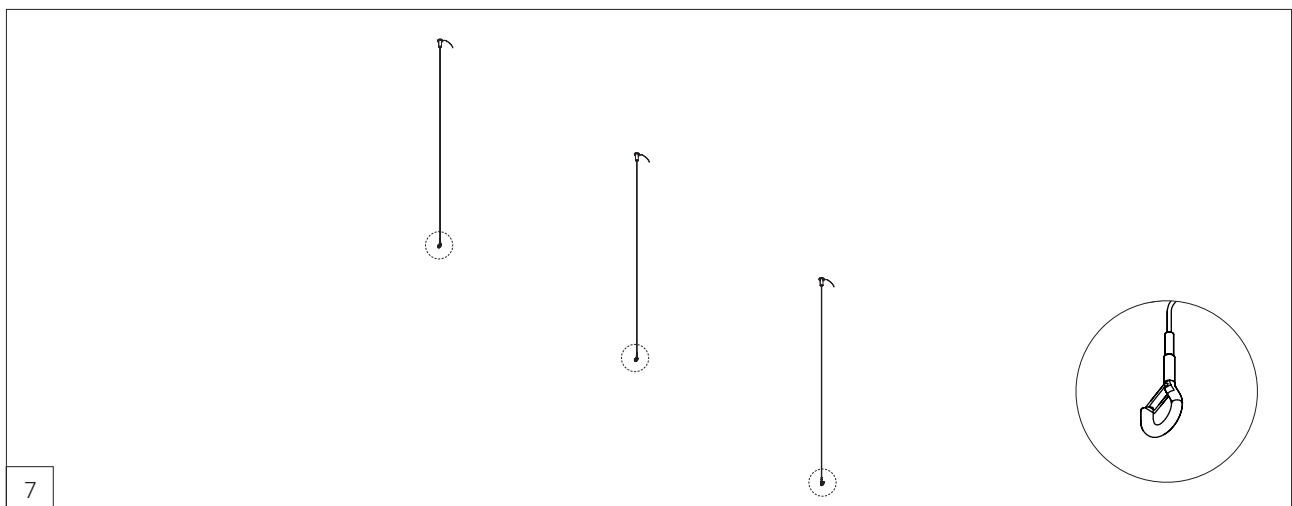
3 Insert the dowel into the ceiling and screw element A into the ceiling.



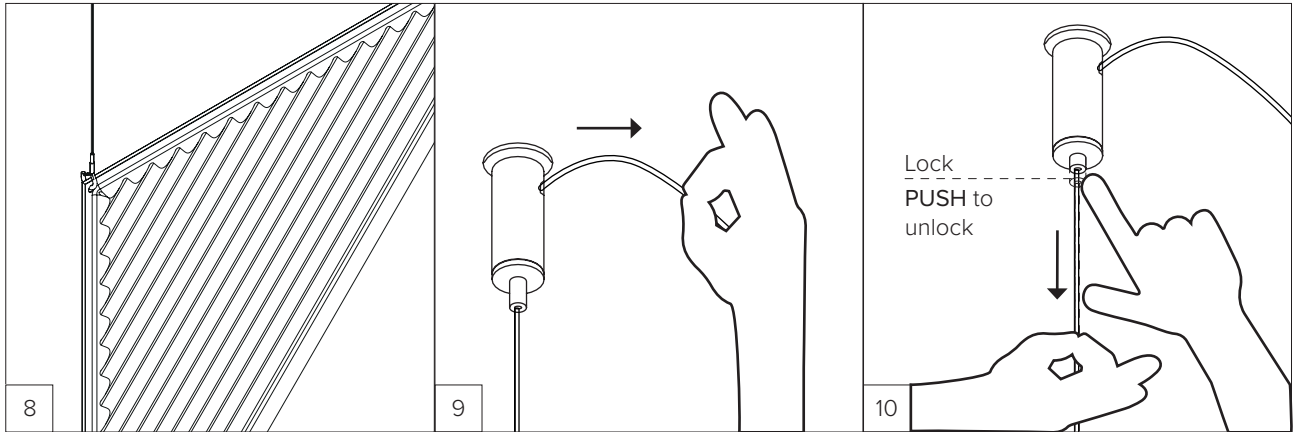
4 First insert the end of the cable into element B.

5 Then insert the end of the cable into element A as shown in the illustration, keeping a minimum of 10 cm of excess.

6 Screw element B into element A and roughly adjust to the desired cable length.



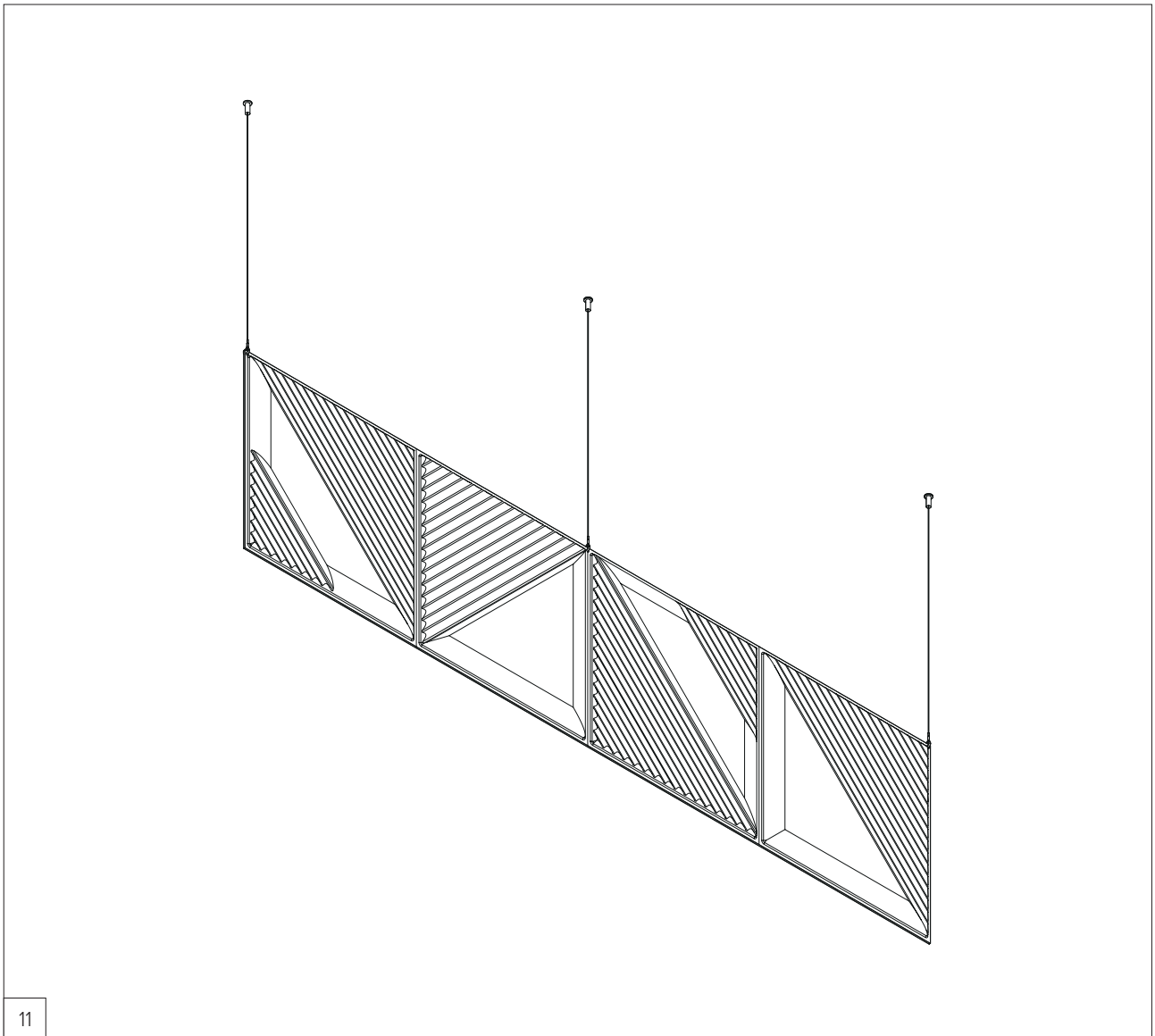
7 Repeat for all cables required for installation.



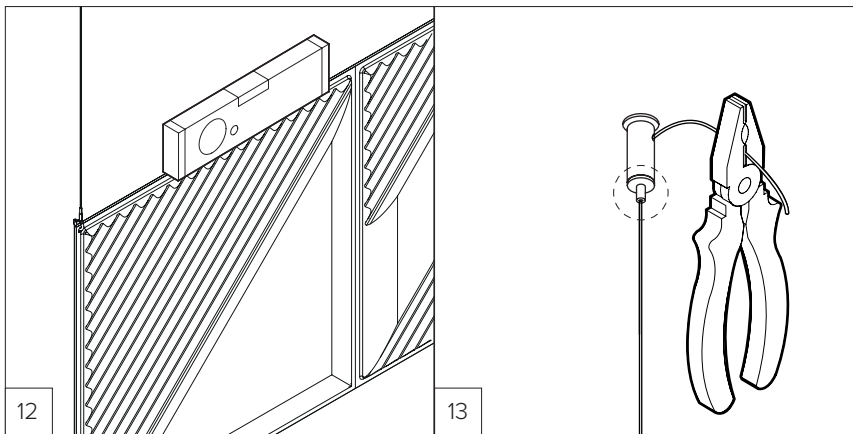
8 Lift the panel and connect it to the cables, hooking each carabiner to the corresponding hole on the panel.

9 **ADJUSTMENT:** Pull the excess cable of element A to lift the panel.

10 **ADJUSTMENT:** Squeeze the nozzle of element B and pull the cable if you want to lower the panel, ensuring that you do not pull the cable out of element B.



11 Correct position. The B4 size is shown in the example. The procedure is the same for every Skin Baffle size.



12 Using a spirit level, adjust the length of the cables to bring the panel to the desired position.

13 Once correctly positioned, cut off the cable excess, leaving a minimum clearance of 5 cm.

Skin is a brand of Tecnasfalti

via dell'Industria, 12
Loc. Francolino
20074 Carpiano (MI)

T. +39 02 9885701
E. hello@skinforspaces.it

skinforspaces.it